



CS-iTVP-05 Wireless Parking Sensor

User' s Manual

LP SENSOR TECHNOLOGY

Revision history

Revision data	REV	Revision contents	Reviser
2018.07.25	REV A	Modify according to US template	JM C
2018.10.09	REV A	Modify sim installing instruction.	JM C
2018.11.26	REV A	Modify sim model selection instruction.	JM C
2018.12.13	REV A	Add the Figure#9 the location of the magnetic activate	JM C

Contents

Contents	3
1. Overview	5
1.1 Product Introduction	5
1.2 Working principle	5
1.3 Product Types	5
2. Specification	6
2.1. Main technical parameters	6
2.2. Outline structure	7
3. Instructions for use	8
3.1 SIM card installation instructions (only for NB-IoT transmission mode)	8
3.2 Battery Replacement Instructions	9
3.3 Network Description	10
3.3.1 LoRaWAN Networking Instruction	10
3.3.2 NBIOT access instruction	10
3.4 Communication Protocol	10
4. Installation instructions	11
4.1 Installation instructions for ground type	11
4.2 Installation instructions for underground type	13
4.3 Data analysis	15

5. Order guide16

6. Install and configure accessories17

7. Precautions18

8. Statement18

LP SENSOR TECHNOLOGY

Wireless Parking Sensor User' s Manual

1. Overview

1.1 Product Introduction

The CS-iTVP-05 series of wireless parking sensors use an anisotropic magnetoresistive 1qby various transmission methods such as LORAWAN and NB-IOT, and then transmitted to the server through 4G/Ethernet.

The battery-powered sensor features a low-power design with high detection rate, stable operation, no wiring, easy installation, and simple maintenance, widely used on indoor parking lots, roadside parking lots, open parking lots, and illegal parking detection applications.

1.2 Working principle

The static strength of the Earth's magnetic field is between 0.5 and 0.6 Gauss, and its intensity is constant over a certain area (approximately several kilometers). Ferromagnetic objects, such as cars, can disturb nearby magnetic fields. The magnetoresistive sensor is used to measure the change of the magnetic field strength, thereby judging the state of the parking space.

1.3 Product Types

Depending on the installation method, the product has two types: surface/ground type and underground type.

2. Specification

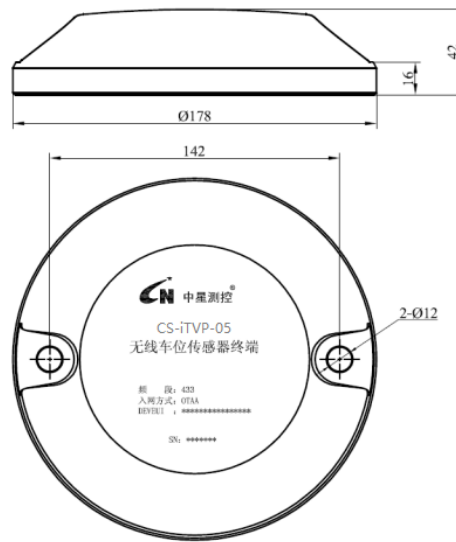
2.1. Main technical parameters

Table 1 Main technical parameters

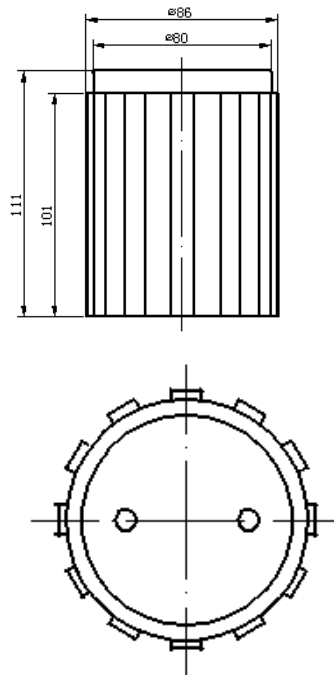
Item	Technical parameters	Remark
Frequency	433MHz/470MHz/868MHz/915MHz/923MHZ	LoRaWAN
	B1/B3/B5/B8/B20	NB-IoT
Equipment type	Class A	LoRaWAN
Antenna interface	FPC	
Configuring serial port	9600, n, 8, 1	Open the product cover, and use the serial port for configuration
Voltage	3.6V	Li Battery ER26500+SPC1550
Battery Life	3-5 year	
Maximum working current	<300mA	
Level of protection	IP68	
Material	PC+ABS material	
Size	Φ178mm×42mm (stick to install)	
	Φ86mm×111mm (Embedded mounting)	
Operating temperature	(-25~+85) °C	NB-IOT (consumption SIM card)
	(-45~+85) °C	LORAWAN/ NB-IOT (industrial SIM card)
Storage temperature	(-45~+85) °C	

2.2. Outline structure

The dimensions of the surface/ground parking sensor are shown in Figure 1. The underground parking sensor is shown in Figure 2.



Figure#1 Ground-type parking sensor



Figure#2 Underground-type parking sensor

3. Instructions for use

Note: For LoRaWAN transmission mode, no need to open the back cover if the sensor is already equipped with a battery.

3.1 SIM card installation instructions (only for NB-IoT transmission mode)

3.1.1 SIM Card for NBIOT Installation Procedure for ground type

Open the back cover -> Insert the NB SIM card -> Connect the Battery -> Put the cover back -> Tighten the screws

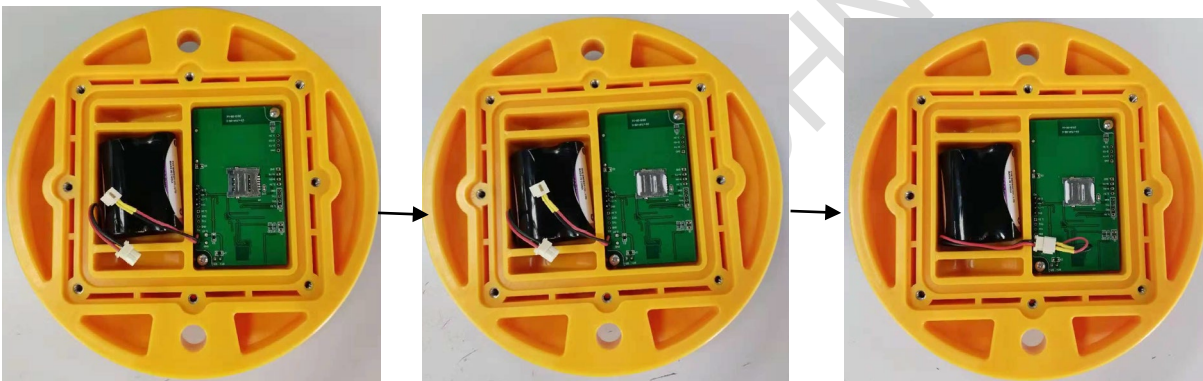
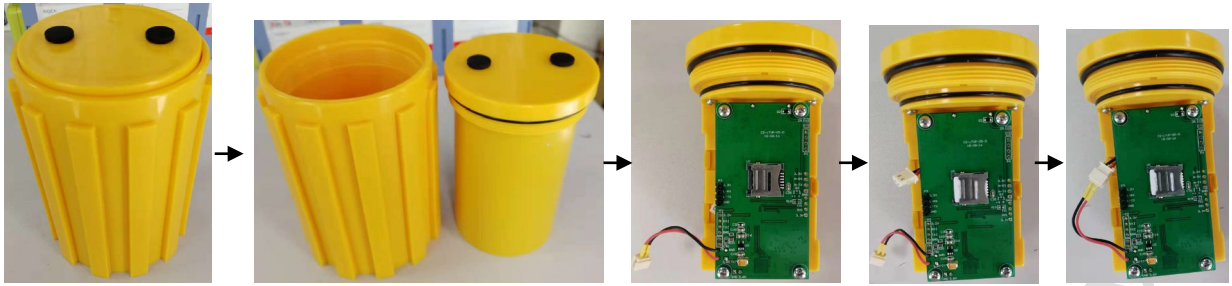


图 3 Figure#3 NB/SIM Card Installation Procedure for ground type

Note:

- 1) Open the SIM card holder in the OPEN direction. After installing the NB card, lock the SIM card holder in the LOCK direction.
- 2) Connect the battery connector & ensure that the red/black wires are not reversed
- 3) Fix the back cover with screws, tighten the screws to ensure the sealing of the sensor.

3.1.2 NB/SIM Card Installation Procedure for underground type



Unscrew the top cover ->Take it out of the sleeve -> Insert the NB SIM card -> Connect the battery

Figure#4 NB/SIM Card Installation Procedure for underground type

- 1) Open the SIM card holder in the OPEN direction. After installing the NB card, lock the SIM card holder in the LOCK direction.
- 2) Connect the battery connector & ensure that the red/black wires are not reversed
- 3) Remove and install the top cover with the special tool.

3.2 Battery Replacement Instructions

The parking space sensor is powered by a built-in disposable lithium battery. When the battery is low, the sensor will report a low voltage alarm message and the ER26500+SPC1550 battery pack should be replaced.

Battery replacement method:

- 1) Open the sensor back cover, disconnect the battery connector, remove the battery, replace the battery of the same specification, and connect the battery connector;
- 2) Close the cover and tighten the screws;
- 3) Put the parking position sensor back to the original position and complete the installation according to 4.1 or 4.2. The replacement is complete.
- 4) Replacement done.

3.3 Network Description

3.3.1 LoRaWAN Networking Instruction

LORAWAN supports OTAA and ABP network access modes. The default network access parameters can be configurable.

If choose to configure the network access parameters yourself, please ask the supplier for the relevant documentation.

DevEUI is printed on the product.

3.3.2 NBIOT access instruction

The IMEI number is printed on the product, which can be used directly when accessing certain platforms. Support UDP, COAP and TCP communication methods. Compatible with China Telecom's IoT open platform. If necessary, please ask for the codec plug-in for platform integration.

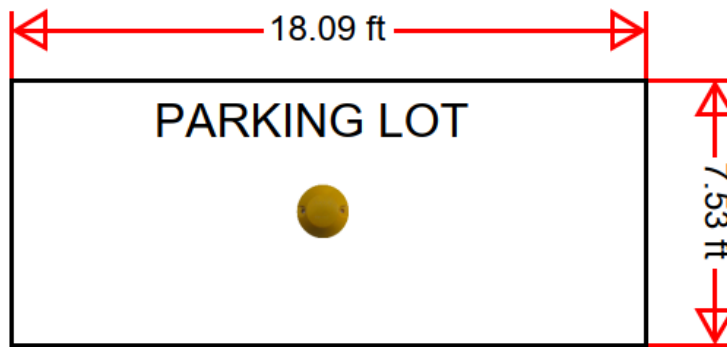
3.4 Communication Protocol

Please refer to "CS-iTVP-05-XY Wireless Parking Sensor Communication Protocol".

4. Installation instructions

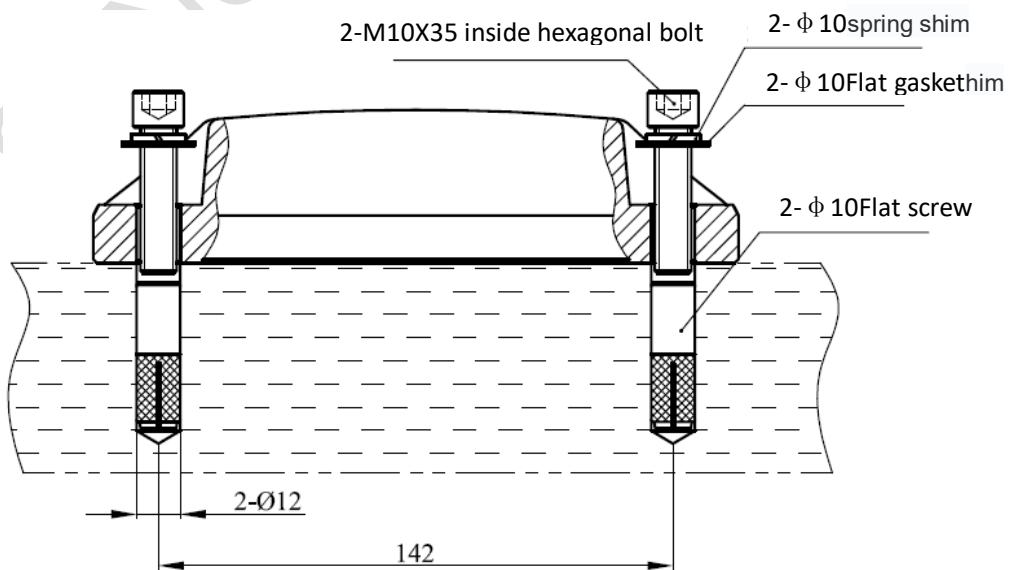
4.1 Installation instructions for ground type

1) The installation position is shown in Figure 5. The parking sensor should be fixed at the center of the parking space.

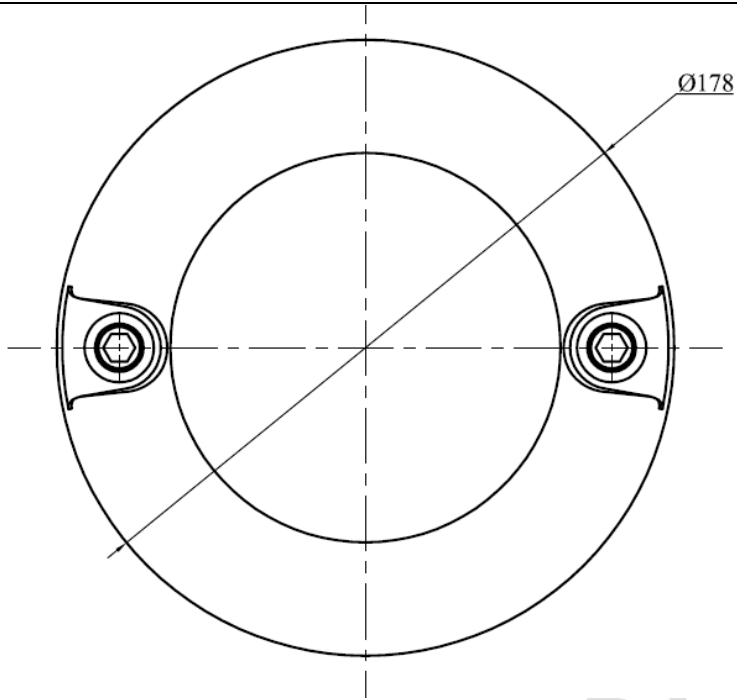


Figure#5 Installation position

2) The concrete floor on which the sensor is installed should be flat. As shown in Figure 6, drill 2- Φ 12x46mm holes in the installation position, put the 2- Φ 10 flat-explosive screws in the holes, then fix the sensor with 2-M10x35mm hexagon socket head bolts, spring washers and flat washers.



Figure#6A Installation instructions for ground type



Figure#6B Installation instructions for ground type

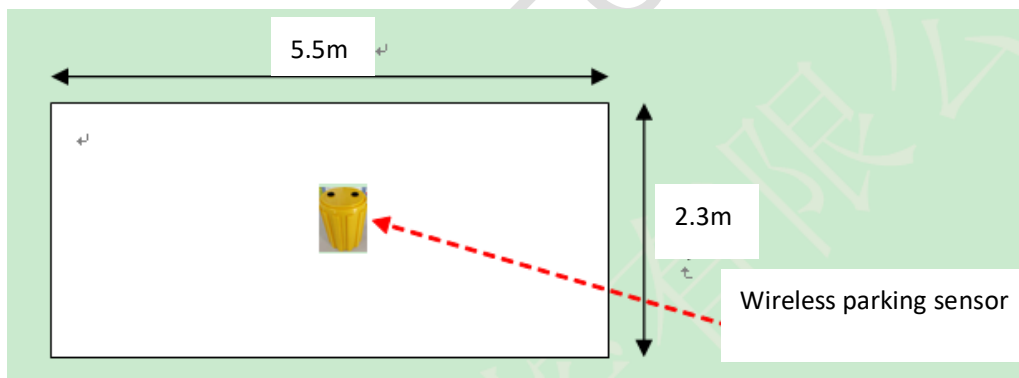


Figure#6C Installation instructions for ground type

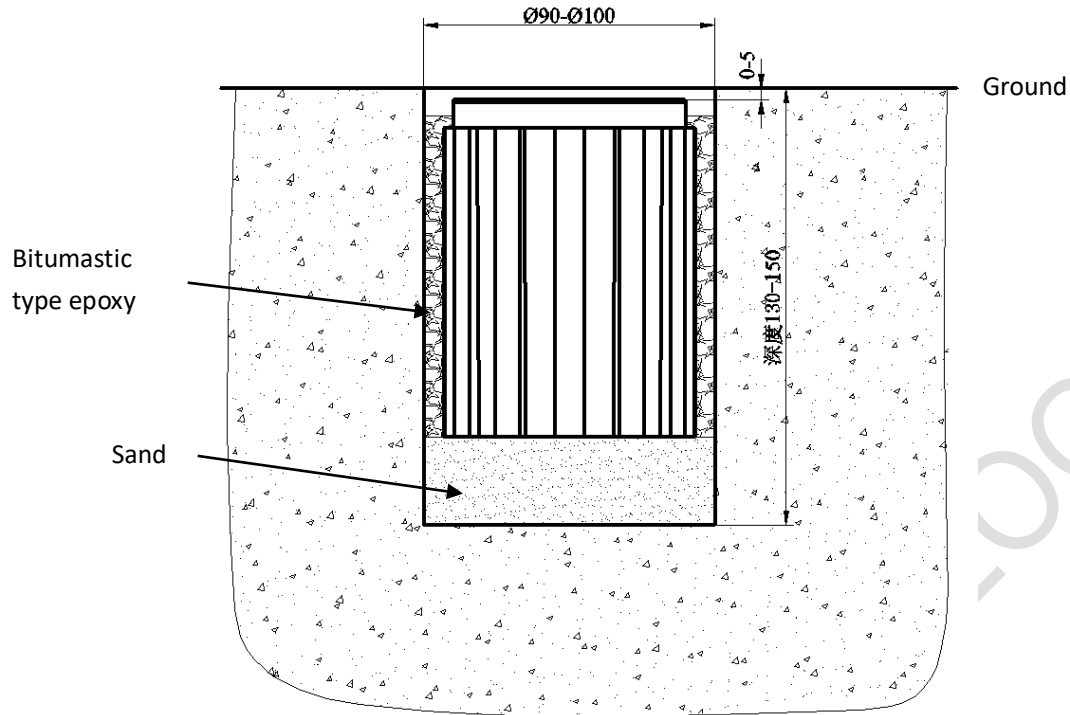
4.2 Installation instructions for underground type

The installation steps are as follows:

- 1) As shown in Figure 7, drill a circular hole in the installation position, diameter 90-100mm, depth 135-160mm;
- 2) Put some fine sand to make the bottom of the round hole flat, remove any stones or sharp objects at the bottom, and ensure that the upper surface of the sensor is 1-5mm below the ground surface;
- 3) Put the sensor into a round hole;
- 4) Fill the gap between the round hole and the sensor with epoxy asphalt;
- 5) After the epoxy resin asphalt is solidified, the installation is completed (Fig. 8);



Figure#7 Installation position



Figure#8A Installation instructions for underground type



Figure#8B Installation instructions for underground type

4.3 Data analysis

After the sensor is installed, ensure that there is no ferromagnetic interference nearby when activated. Right at the black-dot mark on the top, put the magnetic steel for 2-3 seconds and then remove it, make sure at least 5 meters from the sensor. The sensor is activated and enters the working status.



Figure#9 the location of the magnetic activate

Data viewing and setting in the cloud, please refer to the "CS-iTVP-05-XY Wireless Parking Sensor Communication Protocol";

5. Order guide

Model											
CS-iTVP-05											
↓	Communi- cation method										
	LW	LoRaWAN									
	NB	NB-IoT									
	↓	↓	Frequency								
			B1	NB-IOT							
			B3	NB-IOT							
			B5	NB-IOT							
			B8	NB-IOT							
			B20	NB-IOT							
			BG	B1/B3/ B5/ B8/B20							
			EU434	433MHz (LORAWAN)							
			CN470	470MHz (LORAWAN)							
			EU868	868MHz (LORAWAN)							
			US915	915MHz (LORAWAN)							
			AS923	923MHZ (LORAWAN)							
			↓	↓	↓	Installatio n Type		Packagin g Type			
S						Ground Type	P	Default – Bubble bag.			
B						Undergroun d Type	B	Cardboard box.			
↓	↓	↓	↓	↓	↓	↓					
							CS-iTVP-05	NB	B8	S	P

举例： Example

CS-iTVP-05_NB_B8_S_P, NBIOT transmission mode, B8 band, surface install, bubble pack package。

6. Install and configure accessories

- 1) USB to UART-TTL adapter. This is not necessary if the customer won' t configure the sensor by themselves.
- 2) Battery model ER26500+SPC550. If you need a battery, please specify when purchasing.
Special tool for underground parking sensor installation, one for each order. If additional ones are needed, please specify when purchasing;

Accessories can be selected according to Table 1.

If any question, please contact the supplier.

Table#1 Accessories selection guide

Model	Description	备注 Remarks
PL2303	USB to UART-TTL adapter. This is not necessary if the customer does not configure the sensor by themselves.	
ER26500+SPC1550	Battery model ER26500+SPC550. If you need a battery, please specify when purchasing.	
CS-iTVP-05-A01	Special tool for underground parking sensor installation, one for each order. If additional ones are needed, please specify when purchasing;	
CS-iTVP-05-A02	Magnetic steel, one for each order. If additional ones are needed, please specify when purchasing.	

7. Precautions

- 1) It is recommended to use the mounting accessory (non-magnetic). The sensor cannot be moved after installation;
- 2) When the sensor is being activated and the background magnetic field is being established, metal interference within 1m may cause abnormal detection;
- 3) The installation must be firm to ensure that the sensor does not move due to wheel crushing;
- 4) The sensor is suitable for regular cars, vans, off-road vehicles, and is recommended for parking spaces of 2.5*5.5 meters. For other parking spaces and special vehicles, please declare in advance when purchasing;

8. Statement

The company reserves the rights to modify the specifications and contents of this manual, and is subject to change without prior notice. Due to product updates, details may not exactly match the product. Please refer to the real product. The rights to interpret this document belong to the company.
